

**LEAKS FROM PUMP HEAD OR SWITCH:**

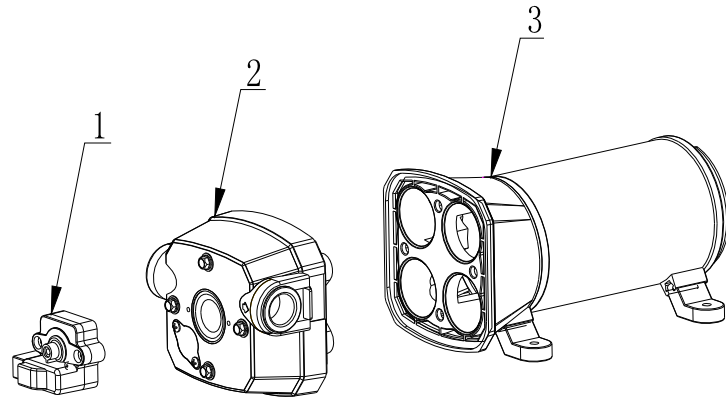
For loose screws at switch, by-pass or pump head.

Switch diaphragm ruptured or pinched.

For punctured diaphragm if water is present in the drive assembly.

**EXPLODED VIEW-NO REPAIR KITS AVAILABLE**

Item	Description	Quantity
1	Pressure switch assembly	1
2	Pump head assembly	1
3	Motor	1



## Installation & Maintenance Manual

### INSTALLATION PREPARATION

The goal of installation is to provide a quiet, easy-to-maintain installation with good flow and low backpressure. This can be accomplished with the following guidelines:

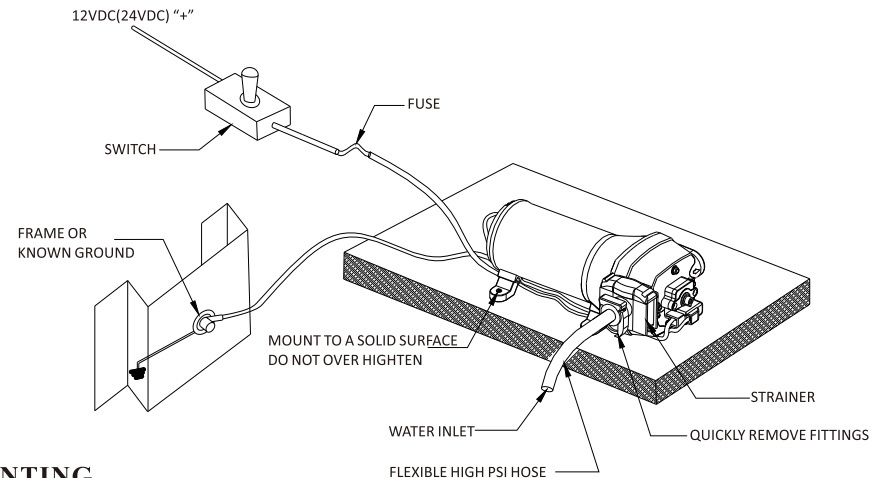
**Follow all marine/RV/agriculture safety guidelines if installing in a watercraft, including waterproof connections.**

- Mount on a solid surface in an accessible location for strainer cleaning and pump maintenance.
- Use flexible high-pressure hose on the pump inlet and outlet. The pumps ports and strainer should not be connected to plastic or rigid pipe, or the pump's normal motion will transmit through rigid plumbing causing noise, and possibly loosening or cracking components.
- Pump must use an adequate 40-mesh strainer.
- Use a minimum of 0.49" [12.5mm] Inner Diameter plumbing. Smaller ID plumbing can cause high backpressure, cycling, low flow and noise.
- Pump is designed for intermittent duty only:

Do not use these pumps for running a Reverse-Osmosis [RO] Filtration System. High pressure-continuous duty usage will shorten the life of the pump and it not covered under warranty.

- Wire Size is 16 GA MINIMUM
- Minimum power requirement is a 20 Amp circuit.
- Reduce restrictions on inlet and outlet. This includes small inner diameter shut-off valves, winterizing valves and elbows.

### TYPICAL PUMP INSTALLATION



### MOUNTING

- Mount the pump within 5 feet of the tank for best performance and pump life. The farther it pulls the more work it does, increasing vibration and noise, and reducing the output and pump life. The lift may decrease as the pump is used.
- Mount pump in a space of at least 1 cubic foot for adequate ventilation to prevent overheating.
- Pump may be mounted in any position.
- Mount pump for easy access for cleaning strainer, maintenance and service.
- Mount pump on a solid surface to prevent vibration and noise.