

SINK AND BASIN MIXER INSTALLATION INSTRUCTIONS

Working Specifications.

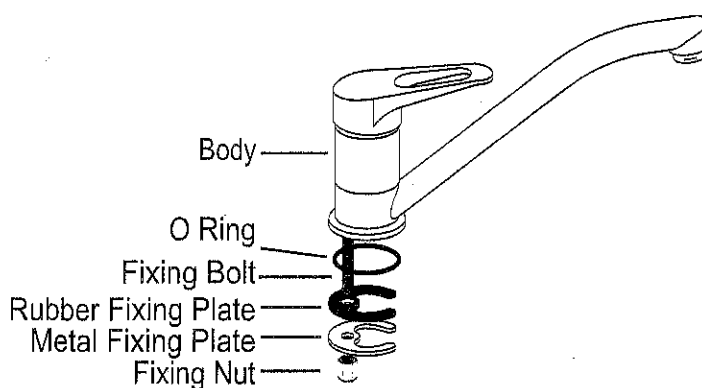
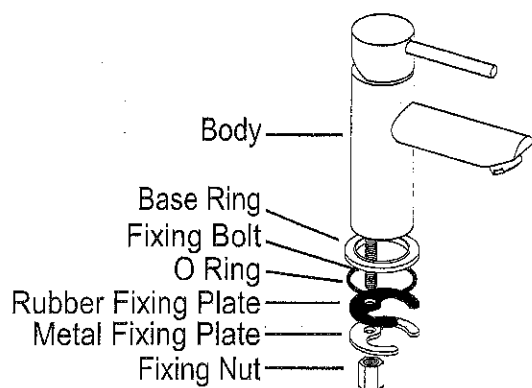
Maximum Temperature : 80 degrees C Pressure : 1000kpa

Where normal working pressures exceed the maximum stated above, pressure limiting Valve should be installed

Maximum Temperature : 1 degree C Pressure : 400kpa

Maximum difference in pressure between hot and cold supply is 150kpa.

Recommended working pressure : 400 to 800kpa.



Installation.

1. Firmly tighten the flexible Hoses into the Base of the Body, being careful to avoid damage to the O Ring Seals. If the Hoses have Red and Blue Indicators make sure they are connected to the correct Inlet Hole in the Mixer Hole.
2. Screw the Fixing Bolt into the Mixer base.
3. Place the base Washer O Ring over the end of the Hoses. Feed the Hoses through the Sinkhole, each end alternatively, and position the base Washer between the Sink and the Mixer base.
4. Position the Fixing Plate Washer and Plate onto the Fixing Bolt. The flexible Hoses should be positioned towards the front of the Sink with the Lever Handles pointing towards the user. Fixing Bolt position at back.
5. Lock the Mixer onto the Sink by tightening the Fixing Nut onto the Fixing Plate using centre Sticker for alignment position
6. Handle not to be used to align Mixer in centre position after tightening of Fixed Bolt. Fixing Bolt must be loosened to centre Mixer with Handle function and Sink.
7. Connect the flexible Hoses to the supply line, making sure the Hot Water is connected to the Hot Water Hose.
8. It is recommended that in-line Filters be installed to ensure a cleaner flow of water to the Mixer.

NOTE:

This Mixer must be installed with isolating Stop Taps in accordance with local authority installation codes.

FUNCTION

Control the water temperature by moving the lever handle to the left to increase hot water and right to increase cold water. Lifting the handle increases the water flow.

Care.

The materials and workmanship of this Mixer is of high quality and in order to maintain its appearance it is important not to wipe with abrasive cleaners. Cleaning of this product should only be done with warm soapy water on a regular basis.